



Aircraft Wire Cable Stop Clamp Adjuster Gripper Looper

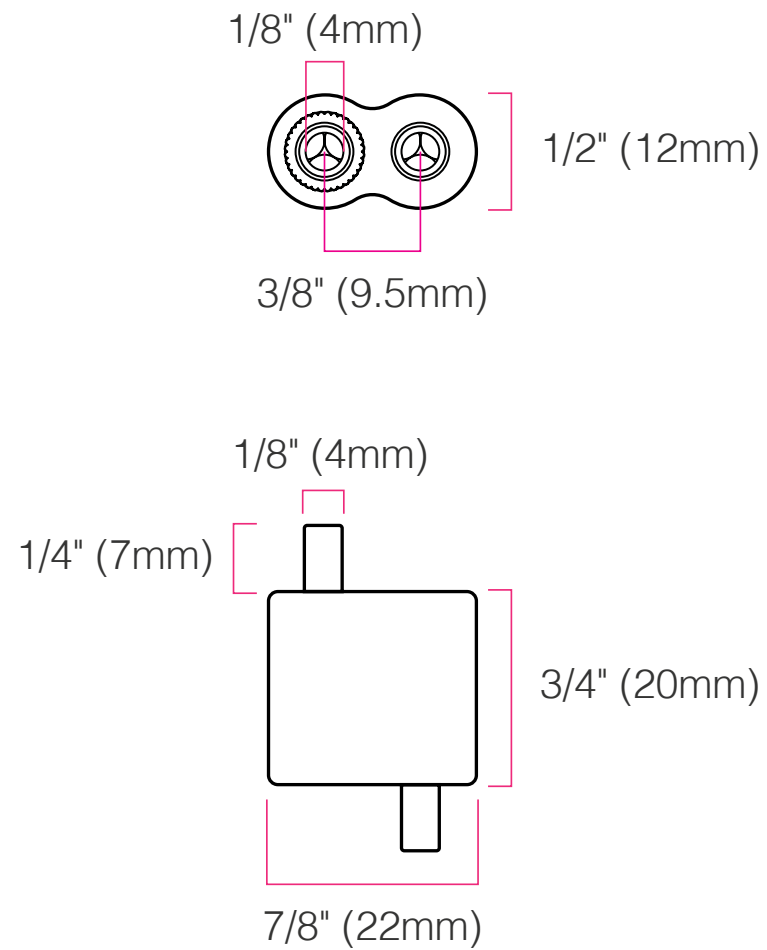
Specifications and Instruction Guide

mbs-standoffs.com

SKU	DG006	DG006MB	
-----	-------	---------	--

For Wire Cable	3/64"~1/16" Diameter (1.2mm to 2mm)	Maximum Load	80 lbs 36 kg
Finish	▶ Polished ▶ Matte Black	Material	Nickel Plated

Specs




Aircraft Wire Cable Stop Clamp Adjuster Gripper Looper

Specifications and Instruction Guide


mbs-standoffs.com

Instruction




1

Feed the free end of you cable through either clutch button into the self-locking brake which grips the cable automatically.




2

Guide the cable through the display connection point and into other clutch button, completing the installation with secure and stable loop.



3

Press and hold either clutch button to release the braking system, allowing for quick and easy adjustments.



4

NO MORE cutting and starting over.

Functions

